



Product designation				Power contactor
Product type designation				BF94
<b>Contact characteristics</b>				
Number of poles	Nr.			3
Rated insulation voltage U <sub>i</sub> IEC/EN	V			1000
Rated impulse withstand voltage U <sub>imp</sub>	kV			8
Operational frequency	min	Hz	25	
	max	Hz	400	
IEC Conventional free air thermal current I <sub>th</sub>	A			115
Operational current I <sub>e</sub>	AC-1 (=40°C)	A	115	
	AC-1 (=55°C)	A	95	
	AC-1 (=70°C)	A	80	
	AC-3 (=440V =55°C)	A	95	
	AC-4 (400V)	A	45	
Rated operational power AC-3 (T=55°C)	230V	kW	30	
	400V	kW	55	
	415V	kW	55	
	440V	kW	55	
	500V	kW	55	
	690V	kW	55	
	1000V	kW	37	
IEC max current I <sub>e</sub> in DC1 with L/R = 1ms with 1 poles in series	=24V	A	77	
	48V	A	66	
	75V	A	66	
	110V	A	8	
	220V	A	-	
	IEC max current I <sub>e</sub> in DC1 with L/R = 1ms with 2 poles in series	=24V	A	110
48V		A	110	
75V		A	110	
110V		A	90	
220V		A	9	
IEC max current I <sub>e</sub> in DC1 with L/R = 1ms with 3 poles in series		=24V	A	110
	48V	A	110	
	75V	A	110	
	110V	A	93	
	220V	A	95	
	IEC max current I <sub>e</sub> in DC1 with L/R = 1ms with 4 poles in series	=24V	A	115
48V		A	115	

	75V	A	115
	110V	A	110
	220V	A	115
<hr/>			
IEC max current Ie in DC3-DC5 with L/R = 15ms with 1 poles in series	=24V	A	45
	48V	A	33
	75V	A	33
	110V	A	3
	220V	A	–
<hr/>			
IEC max current Ie in DC3-DC5 with L/R = 15ms with 2 poles in series	=24V	A	65
	48V	A	55
	75V	A	55
	110V	A	43
	220V	A	5
<hr/>			
IEC max current Ie in DC3-DC5 with L/R = 15ms with 3 poles in series	=24V	A	86
	48V	A	75
	75V	A	75
	110V	A	64
	220V	A	64
<hr/>			
IEC max current Ie in DC3-DC5 with L/R = 15ms with 4 poles in series	=24V	A	96
	48V	A	95
	75V	A	95
	110V	A	80
	220V	A	80
<hr/>			
Short-time allowable current for 10s (IEC/EN60947-1)		A	640
<hr/>			
Protection fuse			
	gG (IEC)	A	125
	aM (IEC)	A	100
<hr/>			
Making capacity (RMS value)		A	950
<hr/>			
Breaking capacity at voltage			
	440V	A	640
	500V	A	625
	690V	A	456
<hr/>			
Resistance per pole (average value)		m?	0.6
<hr/>			
Power dissipation per pole (average value)			
	Ith	W	7.9
	AC3	W	5.4
<hr/>			
Tightening torque for terminals			
	min	Nm	4
	max	Nm	5
	min	Ibin	3
	max	Ibin	3.7
<hr/>			
Tightening torque for coil terminal			
	min	Nm	0.8
	max	Nm	1
	min	Ibin	0.59
	max	Ibin	0.74
<hr/>			
Max number of wires simultaneously connectable		Nr.	2
<hr/>			
Conductor section			
	Flexible w/o lug conductor section		

	min	mm <sup>2</sup>	1.5
	max	mm <sup>2</sup>	35
Power terminal protection according to IEC/EN 60529			IP20
<b>Mechanical features</b>			
Operating position			
	normal allowable	Vertical plan ±30°	
Fixing			Screw / DIN rail 35mm
Weight		g	1
<b>Operations</b>			
Mechanical life		cycles	15000000
Electrical life		cycles	1100000
<b>Safety related data</b>			
Mirror contacts according to IEC/EN 609474-4-1			YES
EMC compatibility			yes
<b>AC coil operating</b>			
Rated AC voltage at 60Hz		V	24
AC operating voltage			
of 60Hz coil powered at 60Hz			
pick-up			
	min	%Us	80
	max	%Us	110
drop-out			
	min	%Us	20
	max	%Us	55
AC average coil consumption at 20°C			
of 60Hz coil powered at 60Hz			
	in-rush holding	VA	210
		VA	15
Dissipation at holding =20°C 50Hz			W 5
<b>Max cycles frequency</b>			
Mechanical operation			cycles/h 3600
<b>Operating times</b>			
Average time for Us control			
in AC			
Closing NO			
	min	ms	12
	max	ms	28
Opening NO			
	min	ms	8
	max	ms	22
in DC			
Closing NO			
	min	ms	40
	max	ms	85
Opening NO			
	min	ms	20
	max	ms	55
<b>UL technical data</b>			
Full-load current (FLA) for three-phase AC motor			
	at 480V	A	77
	at 600V	A	77
Yielded mechanical performance			

for three-phase AC motor

200/208V	HP	25
220/230V	HP	30
460/480V	HP	60
575/600V	HP	75

General USE

Contactor

AC current	A	115
------------	---	-----

Short-circuit protection fuse, 600V

High fault

Short circuit current	kA	100
Fuse rating	A	200
Fuse class		J

Standard fault

Short circuit current	kA	10
Fuse rating	A	200
Fuse class		RK5

Ambient conditions

Temperature

Operating temperature

min	°C	-50
max	°C	70

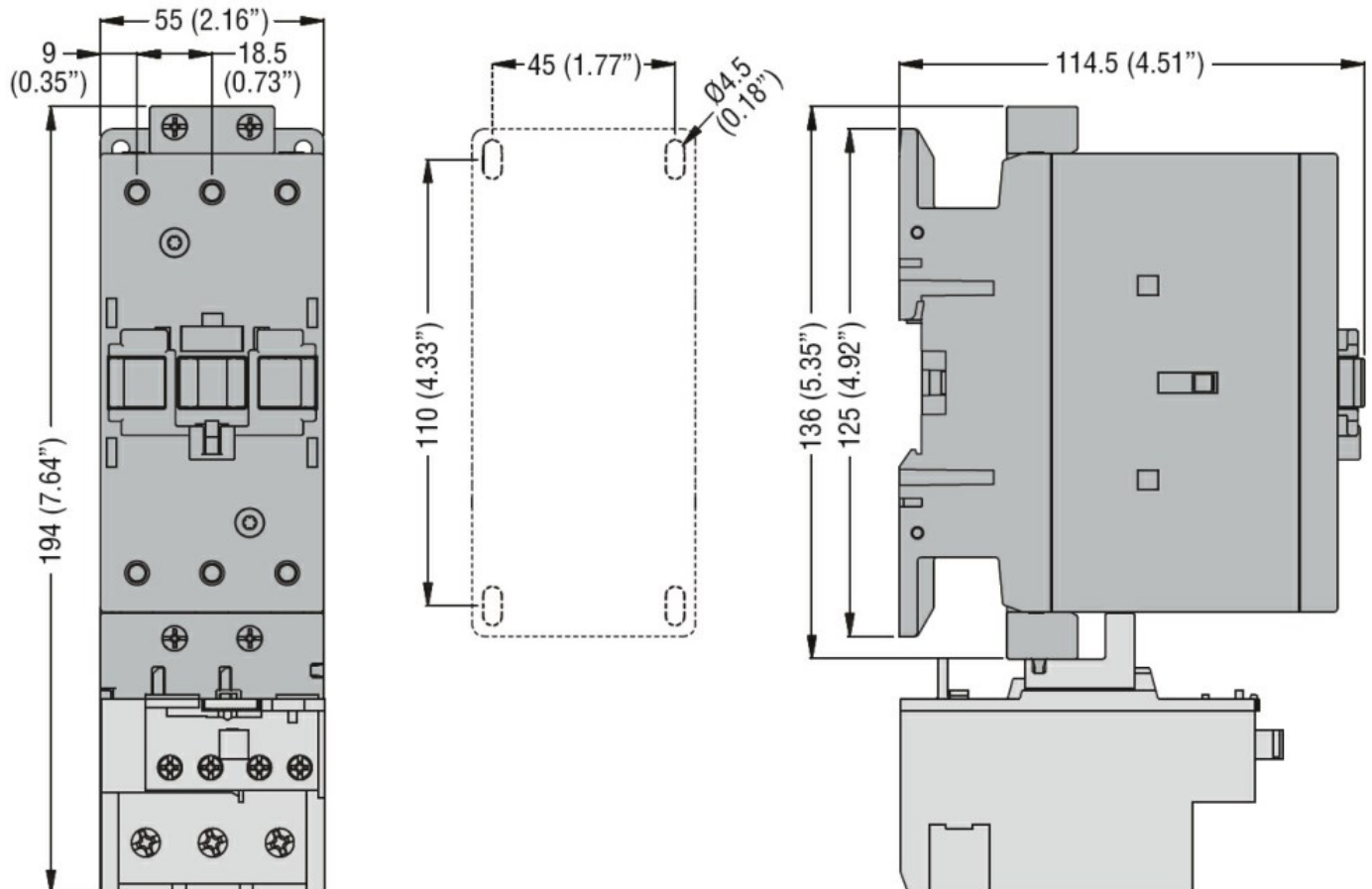
Storage temperature

min	°C	-60
max	°C	80

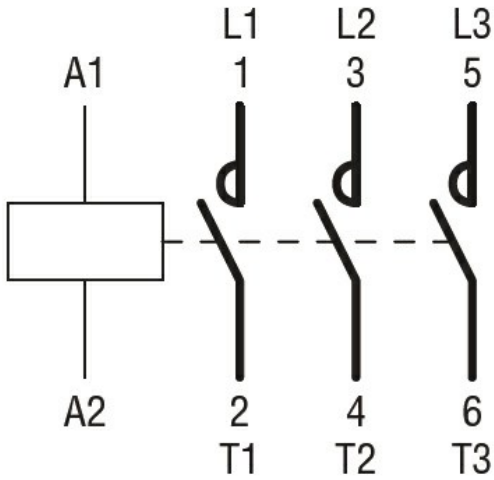
Max altitude

m	3000
---	------

Dimensions



Wiring diagrams



Certifications and compliance

Compliance

CSA C22.2 n° 60947-1  
 CSA C22.2 n° 60947-4-1  
 IEC/EN/BS 60947-1  
 IEC/EN/BS 60947-4-1  
 UL 60947-1  
 UL 60947-4-1

Certificates

CCC  
 cULus  
 EAC

ETIM classification

ETIM 8.0

EC000066 -  
 Power contactor,  
 AC switching